

# DustMagnet<sup>T</sup>

User Manual



Please read this user manual carefully and keep it for future reference.  
The latest version of this user manual can be found on [www.blueair.com](http://www.blueair.com)

Note: There may be local variations of these models.

Product name:	Model number:
5210i	5231111000
5240i	5231112000
5410i	5431111000
5415i	5431111000
5440i	5431112000

## Contents

DustMagnet™	4
Safety instructions	6
Get started	8
Controls and indicators	11
Filters	14
Care and maintenance	18
Disposal and recycling	20
Help and support	20
Warranty information	20
Specification	21
Regulatory information	22

# Blueair DustMagnet™

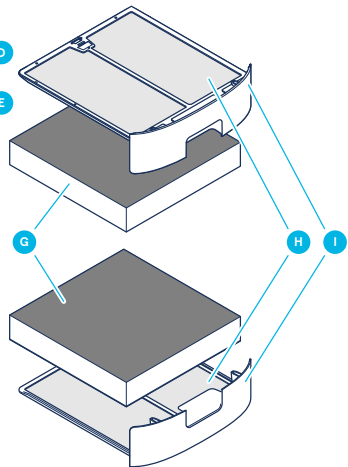
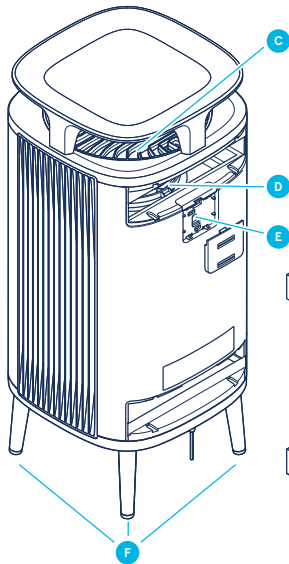
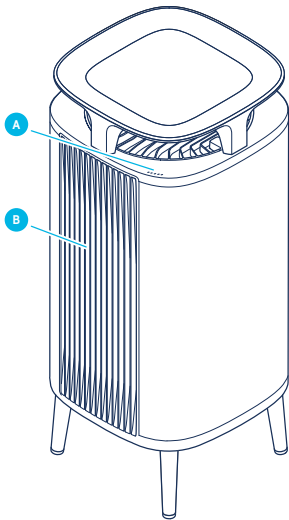
Blueair DustMagnet™ air purifiers are available in four models. All models are Wi-Fi enabled, have two pre-filters and two main ComboFilters to purify air. All DustMagnet™ models have control functions and a built-in sensor.

The air purifier is mainly composed of a motor, a fan and filters. The air purifier removes contaminants from the air in a room to improve indoor air quality.

You can change the air purifier settings at any time, using the control panel on the air purifier or remotely, using the Blueair app. Additional functions are available for all models through the Blueair app.

## **Recommendations for best performance**

- Use the air purifier in a room that does not exceed the room size recommendation.
- Place the air purifier in a location where air can circulate freely in, out and around the air purifier.
- Do not place the air purifier closer than 4"/10cm to another object.
- During operation, keep doors and windows in the room with the air purifier closed.
- Only use original Blueair filters.
- Change the main filter when the filter replacement indicator appears on the control panel.
- Follow the maintenance instructions in this user manual.



- A** Control panel
- B** Air outlet
- C** Air inlet
- D** Fan and motor
- E** Air quality sensor
- F** Legs

- G** Main filters
- H** Pre-filters
- I** Filter hatch
- J** Power adapter (not in picture)
- K** User Manual (not in picture)

# Safety instructions

**Blueair DustMagnet™** air purifiers are electrical appliances for indoor use only, take the necessary precautions to reduce the risk of fire, electric shock or injury.

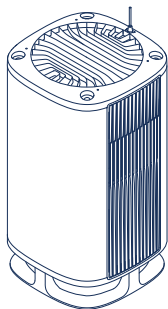
- This appliance is not intended for use by persons (including children) with reduced physical, sensory or mental capabilities, or lack of experience and knowledge, unless they have been given supervision or instruction concerning use of the appliance by a person responsible for their safety.
- Supervise children to ensure that they do not play with the appliance.
- Cleaning and user maintenance shall not be made by children without supervision.
- Always disconnect the appliance from the power supply before maintenance.
- If your Blueair appliance is found to be defective, we will replace it with the same or a similar model at no cost, per the warranty terms. Please use caution attempting repairs yourself, as this presents the danger of electrical shock or injury.
- Ensure that the power cable and the power plug are not at risk of getting damaged.
- If the appliance is damaged or malfunctions, turn it off, disconnect it from the power supply and contact Blueair.
- The power plug must be firmly inserted in the power socket.
- When disconnecting the unit from the power supply, do not pull on the power cord, pull on the power plug.

- Use the power cable provided with your Blueair air purifier to plug directly and firmly into an appropriate, electrical outlet.
- Do not use an extension cord or a power strip. Refer to the rating label on your appliance.
- Do not alter the power plug in any way.
- Do not use the included power cord for anything else but the appliance.
- Do not allow objects to enter or block the air inlets and air outlets as this can cause electric shock or damage the appliance.
- Do not place any liquids on top of the product.
- Do not put any objects heavier than 10kg on top of the product.
- Do not put any objects directly against the appliance.
- Do not sit on, stand, climb onto or hang from the appliance.
- Keep the appliance, including the power cable, at a safe distance from heated surfaces and open fire.
- Keep the appliance and power plug away from water and other liquids.
- Keep the appliance and power plug away from chemicals such as pesticides and deodorants.
- Place the appliance on the floor. The appliance must be placed on a stable surface.
- Do not use the appliance outdoors or in wet environments such as bathrooms, laundry rooms or pool areas.

# Get started

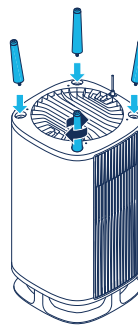
## Step 1

Carefully place the unit with the table top down on a stable soft surface.



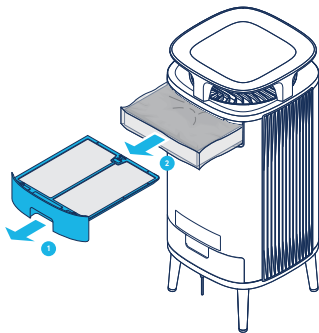
## Step 2

Attach the four legs onto the unit by screwing them on.



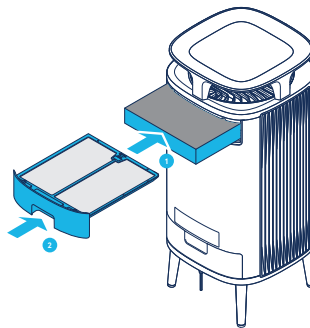
## Step 3

Open the top filter hatch, pull out the main filter and remove the protective plastic wrapping.



## Step 4

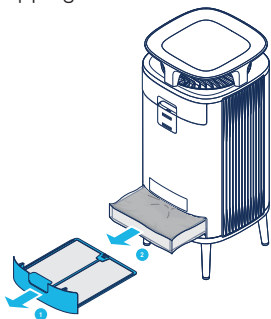
Insert the main filter back into the unit, and close the filter hatch.





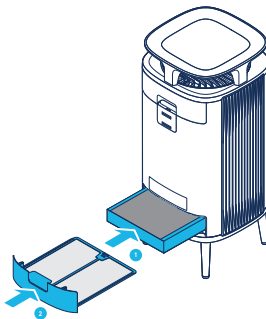
### Step 5

Open the bottom filter hatch, pull out the main filter and remove the protective plastic wrapping.



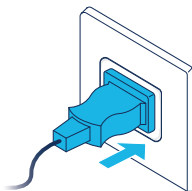
### Step 6

Place the main filter back into the unit, and close the filter hatch.



### Step 7

Plug the power adapter into a wall outlet.



### Step 8

Press the On/Off button to turn the unit on.



See section Filters for more information regarding filter handling.

## Connect to the Blueair app

Connecting the air purifier to the Blueair app allows you to control the air purifier remotely and change the settings. The app adds additional functions to the air purifier.

### Step 1

Download the Blueair app from the App store or Google play.

### Step 2

Open the Blueair app and follow the instructions to connect it to the air purifier.

# Controls and indicators

Control the air purifier using the buttons on the control panel or using the Blue air app. The LED light below the symbol indicates active status.

## On/Off



Press to turn On or Off.

**Note!** Wi-Fi continues to be in operation when the air purifier is turned off.

## Airflow speed

Available airflow speed options are: 0, 1, 2, 3, Auto mode and Night mode.



Press to switch between airflow speed options, Auto mode and Night mode.

## Auto mode



In Auto mode the air purifier automatically controls the airflow based on air quality information from the sensor.

## Night mode



In Night mode the air purifier uses low fan speed and dimmed LED lights. The brightness of the LED is possible to set in the Blueair app.

## Autostart

The air purifier has an Autostart feature. This means that the unit will automatically restart at the set speed if a power failure occurs, the unit is unplugged or a power switch timer is used.

## Wi-Fi Connection



A Wi-Fi function is available on all models and allows the air purifier to connect to the Blueair app and to receive functional updates.  
The LED light below the symbol indicates status.

### Indicators



Status White light  
Connected to Wi-Fi network.



Status White “pulsating” light  
Wi-Fi On, ready for onboarding.



Status White fast “blinking” light  
Connection error.

See the Blueair app for further information regarding Wi-Fi connection.  
For support, visit [www.blueair.com/customer-support](http://www.blueair.com/customer-support)

## Filter indicator

The air purifier calculates the remaining lifetime of the filters based on usage and sensor readings, and indicates when it is time to replace the filters.



Status Filter replacement  
No lifetime left of the filter.

## Air quality information

The air quality levels for particulate matter (PM) are indicated using a color scale on the air quality indicator. This scale gives a reading for PM2.5, which are particles with a diameter of 2.5 micrometers or less.

### Air quality level

	Very Polluted
	Slightly Polluted
	Moderate
	Good
	Excellent
	Data not available

See the Blueair app for further information regarding air quality.

# Filters

The air purifier is delivered with two pre-filters and two main filters installed. The filters purify the air from particles and gases. For best performance, clean the pre-filters regularly and change the main filters when the air purifier indicates filter change. To find the right main filter for your air purifier, use the Blueair app or visit [www.blueair.com](http://www.blueair.com). The model number of your air purifier can be found on the rating label on the air purifier.

**Important!** Always turn off and disconnect the appliance from the power supply before changing filters, cleaning or carrying out maintenance procedures.

**Important!** Do not use the unit without filters.

## Blueair filter subscription program

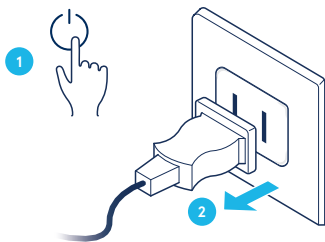
Use the Blueair app or visit [www.blueair.com](http://www.blueair.com) to sign up for the Blueair filter subscription program. (Not available in all markets)

## Clean the pre-filters

For best performance, clean the pre-filters weekly.

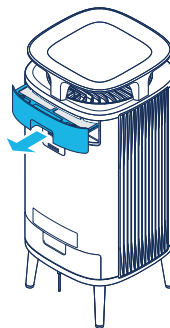
### Step 1

Turn the unit off and unplug it.



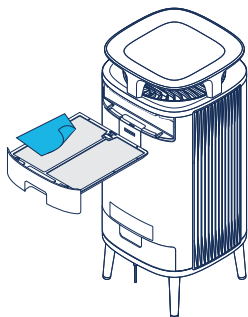
### Step 2

Open the top filter hatch and pull out the pre-filter.



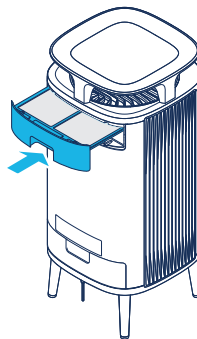
### Step 3

Clean the pre-filter by wiping it with a dust cloth.



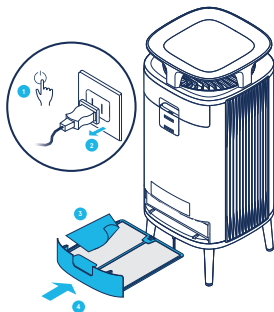
### Step 4

Place the pre-filter back into the unit and close the filter hatch.



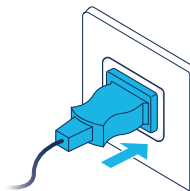
### Step 5

Repeat step 1-4 on the bottom pre-filter.



### Step 6

Plug in the unit.



## Change the main filters

The air purifier calculates the remaining lifetime of the filters based on usage and sensor readings, and indicates when it is time to change filter. The recommended time for filter change is between 6-12 months depending on the indoor conditions.

A filter replacement indicator indicates when it is time to change the filters.

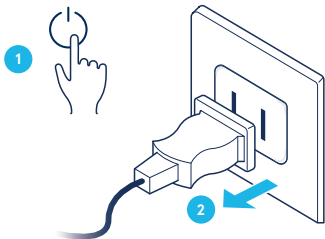


Filter replacement indicator

**Important!** Use only original Blueair filters suitable for the model to ensure proper function and performance of the air purifier, and to qualify for full warranty coverage.

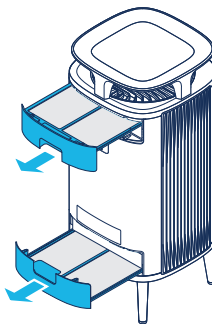
### Step 1

Turn the unit off and unplug it.



### Step 2

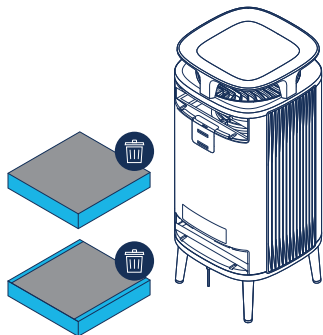
Open the two filter hatches.





### Step 3

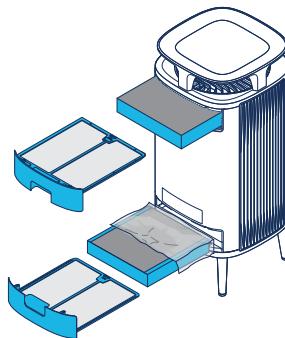
Remove and dispose of the old main filters.



### Step 4

**Note!** Remove the protective plastic from the new main filters before use.

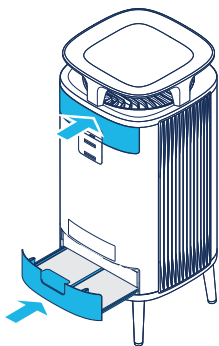
Insert the new main filters.



### Step 5

Close the two filter hatches.

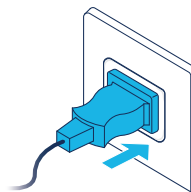
**Note!** Make sure that the filter hatches are closed correctly.



### Step 6

Plug in the unit.

**Note!** Press the airflow speed button for 15s to reset the filter timer.



# Care and maintenance

## General

- Disconnect the air purifier from the power supply before maintenance.
- Do not allow foreign objects to enter the air inlets or air outlets. This may cause electric shock or damage the air purifier.
- Never clean with gasoline, chemical solvents or corrosive materials as these agents may damage the air purifier.
- Make sure the air purifier is completely dry before connecting it to power.
- Do not wash the main filter. The main filter is not washable or reusable.

## Cleaning

- Clean the pre-filters by wiping with a dust cloth or vacuuming with a soft brush attachment (not included).
- Wipe the exterior of the air purifier with a soft, clean, damp cloth.
- Vacuum the small air inlets with a soft brush attachment (not included).
- Vacuum the inside of the air purifier with a soft brush attachment (not included).
- Clean and check the power cable and power plug for wear or damages.
- Clean the sensor when changing the main filter.

## Moving the air purifier

### Important!

- Unplug the air purifier before moving it.
- Make sure that the filter hatches on the air purifier are securely closed.
- Lift the air purifier to move it. Do not drag or push the air purifier.

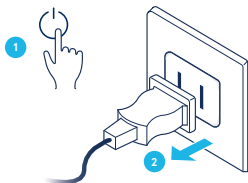
## Clean the air quality sensor

The inlet for the air quality sensor is located at the back of the air purifier. Vacuum the opening to clean the inlet for the sensor.

**Important!** Do not use fingers or any unrecommended objects to clean inside the sensor inlet.

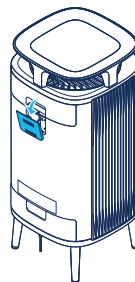
### Step 1

Turn the unit off and unplug it.



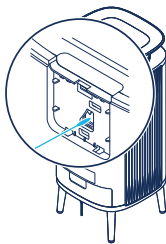
### Step 2

Remove the lid covering the sensor.



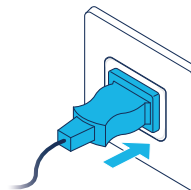
### Step 3

Gently clean the sensor with a cotton swab, and attach the sensor lid.



### Step 4

Plug in the unit.



## Disposal and recycling

This air purifier should be disposed or recycled as electrical waste and the filter may be recycled as plastic. If you have questions regarding the disposal and recycling of this air purifier, please contact your local recycling facility for availability or Blueair dealer and ask for the correct method of recycling.

## Help and support

If you have questions about your product, please visit [www.blueair.com](http://www.blueair.com) or contact your local Blueair retailer.

To contact Blueair for personalized support, please visit [www.blueair.com/customer-support](http://www.blueair.com/customer-support)

## Warranty information

The Blueair Limited Warranty applies only if the air purifier is installed, used and maintained according to the instructions in this manual.

For warranty conditions, please visit [www.blueair.com/warranty](http://www.blueair.com/warranty)

### Warranty and returns

If you purchased the air purifier at one of our authorized retailers, please contact the same store to request assistance.

# Specifications

	<b>5210i/5240i</b>	<b>5410i/5415i/5440i</b>
Input Power, Frequency	100-240VAC 50/60Hz	100-240VAC 50/60Hz
Power consumption/ Rated input power (min/max) <sup>1</sup>	5-22W	7-42W
Sound level (min/max) <sup>2</sup>	22-45 dB	30-50 dB
Recommended room size <sup>3</sup>	212 ft <sup>2</sup> (20 m <sup>2</sup> )	357 ft <sup>2</sup> (33 m <sup>2</sup> )
CADR Smoke <sup>3</sup>	137 cfm (232 m <sup>3</sup> /h)	230 cfm (391 m <sup>3</sup> /h)
CADR Dust <sup>3</sup>	133 cfm (226 m <sup>3</sup> /h)	240 cfm (408 m <sup>3</sup> /h)
CADR Pollen <sup>3</sup>	140 cfm (238 m <sup>3</sup> /h)	255 cfm (433 m <sup>3</sup> /h)

<sup>1</sup>According to UL867:2011

<sup>2</sup>Sound pressure according to GB/T18801

<sup>3</sup>According to AHAM AC-1-2019

# Regulatory information

**NOTE:** This equipment has been tested and found to comply with the limits for a Class B digital device, pursuant to Part 15 of the FCC Rules. These limits are designed to provide reasonable protection against harmful interference in a residential installation. This equipment generates, uses and can radiate radio frequency energy and, if not installed and used in accordance with the instructions, may cause harmful interference to radio communications.

However, there is no guarantee that interference will not occur in a particular installation. If this equipment does cause harmful interference to radio or television reception, which can be determined

by turning the equipment off and on, the user is encouraged to try to correct the interference by one or more of the following measures:

- Reorient or relocate the receiving antenna.  
Increase the separation between the equipment and receiver.
- Connect the equipment into an outlet on a circuit different from that to which the receiver is connected.
- Consult the dealer or an experienced radio/TV technician for help.

This device complies with Part 15 of the FCC Rules. Operation is subject to the following two conditions:

1. this device may not cause harmful interference, and
2. this device must accept any interference received, including interference that may cause undesired operation.

This device contains licence-exempt transmitter(s)/receiver(s) that comply with Innovation, Science and Economic Development Canada's licence-exempt RSS(s). Operation is subject to the following two conditions: (1) This device may not cause interference, and (2) This device must accept any interference, including interference that may cause undesired operation of the device.

This Class B digital apparatus complies with Canadian ICES-003.

FCC/ISED RF Exposure Information: This equipment should be installed and operated with a minimum distance of 20 centimeters between the radiator and your body.